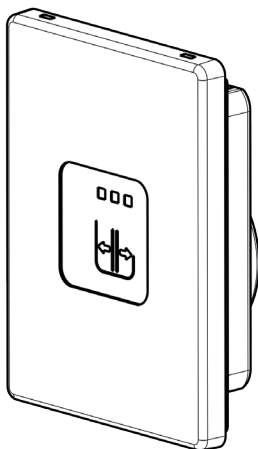


INTERNAL ESCUTCHEON RECTANGULAR BLUETOOTH LOW ENERGY for XNOVA



GENERAL INSTRUCTIONS

This manual is intended for technically qualified and trained installers.

Mottura Serrature di Sicurezza S.p.A. thanks you for choosing this product and reminds you:

- To read these instructions very carefully before installing this product and before doing any maintenance.
- That all assembly and connection procedures must follow good practice procedures and comply with current laws and standards.
- To NOT install this product in explosive rooms or atmospheres or in the presence of inflammable fumes/gases.
- DO NOT install this product on a door with risk of contact with water or atmospheric agents unless the door is adequately protected.
- To switch off the power supply and disconnect all live parts before doing any installation or maintenance work on the product. To take all possible precautions to eliminate the risk of electrical shock when performing installation or maintenance procedures described in this manual.
- That the installer must deliver these instructions and all of the maintenance instructions to the user.
- To keep these instructions for future reference and attach the sales receipt to validate the warranty.
- To contact authorized dealers only in case of problems.

Mottura Serrature di Sicurezza S.p.A. may change the characteristics of the products described in these instructions at any time and without notice.

WARRANTY TERMS

This product has been inspected by Mottura Serrature di Sicurezza S.p.A. and is guaranteed to be free of all manufacturing defects for the time specified by current Italian law, starting on the date of purchase indicated on the sales receipt. The warranty is in force if the sales receipt, showing details identifying the product, is exhibited to customer service personnel. The warranty covers the replacement or repair of parts found defective at origin due to manufacturing defects. Costs of shipping to and from service centres will be paid by the customer. In case of repeated malfunctions of the same type or unrepairable defects, Mottura Serrature di Sicurezza S.p.A. may, at its own discretion, replace the entire product.

The warranty on the replaced product will continue until expiration of the original warranty. If service work must be performed at the customer's premises, the customer shall – if requested – pay the authorised technical personnel travel expenses.

Risks related to product transportation shall be covered by the customer when shipped directly by the customer, and by the authorised technician when the product is picked up and shipped by the technician

LIMITS OF LIABILITY

The warranty does not cover damage deriving from:

- Negligence, carelessness or use in any manner not described in these instructions
- Failure to protect the device before doing any procedure that may generate scrap or waste (welding, drilling of panels, drilling of structure, etc.) that prevents its correct functioning
- Maintenance performed in any manner not described in these instructions or by unauthorised personnel
- Transport without the necessary precautions and from any circumstances that cannot be attributed to manufacturing defects.

In addition, Mottura Serrature di Sicurezza S.p.A. declines all liability for any damage to persons or property deriving from failure to observe all of the precautions described herein.

N.B. : All electrical connections and mounting operations as well as subsequent service operations must be performed with the product DISCONNECTED from the power supply system.



WARNINGS

The device contains a short-range radio frequency transmitter in the range 2400÷2483,5 MHz using Bluetooth Low Energy (BLE) technology. Transmission power: 20mW. Restrictions on use: None. The European band is documented in ERC/REC 70-03 as band type b) of the Annex 3: WIDEBAND DATA TRANSMISSION SYSTEMS. For this band, no restrictions in the usage are foreseen in EU+EFTA countries.

POWER SUPPLY

POWER SUPPLY supplied directly from the lock, it does not require any type of transformer.
3,3V

SMARTPHONE

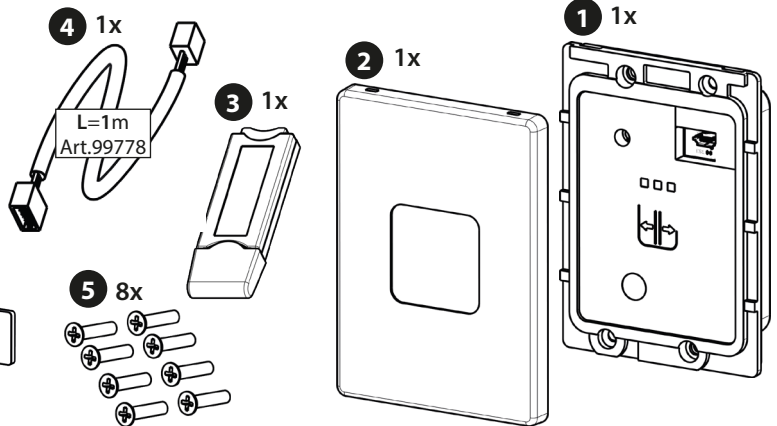
Do not look at the flashes generated by the smartphone screen or reflected during the pairing procedure.

TECHNICAL DATA TABLE ESCUTCHEON BLE

VOLTAGE	3,3V DC provided by the lock
MAXIMUM CURRENT	80 mA
WORKING TEMPERATURE	-10 ÷ +55 °C
MAXIMUM DISTANCE OF DEVICE TO CHECK	< 3 meters (in free air)

CONTENTS OF THE PACKAGE

- 1 Escutcheon 99785
- 2 Cover Escutcheon
- 3 Master key
- 4 Cable 4 pole serial
- 5 Screws M3x25mm
- 6 Fixing plates



Pursuant to article 26 of Italian Legislative Decree no. 49 of 14 March 2014 "Implementation of EU Directive 2012/19 concerning waste electrical and electronic equipment (WEEE)" and article 9 of Italian Legislative Decree no. 188 of 20 November 2008 "Implementation of EC Directive 2006/66 on batteries and accumulators and waste batteries and accumulators" adequate waste sorting for subsequent sending of disposed equipment to recycling, treatment and environmentally compatible disposal contributes to avoiding possible negative effects on the environment and human health and promotes reuse and/or recycling of the materials composing the equipment. Unlawful disposal of the product by the user may result in the application of penalties pursuant to current laws and regulations on the matter. We remind that batteries and power adapters, if present, must be removed before the device is disposed. Batteries and adapters must be collected and separately disposed.



CONFIGURATION OF X TECHNOLOGY PRODUCTS

XDIGIT 



XTRACK 



XMOTO



Internal Unit
XNova 99785



XNOVA



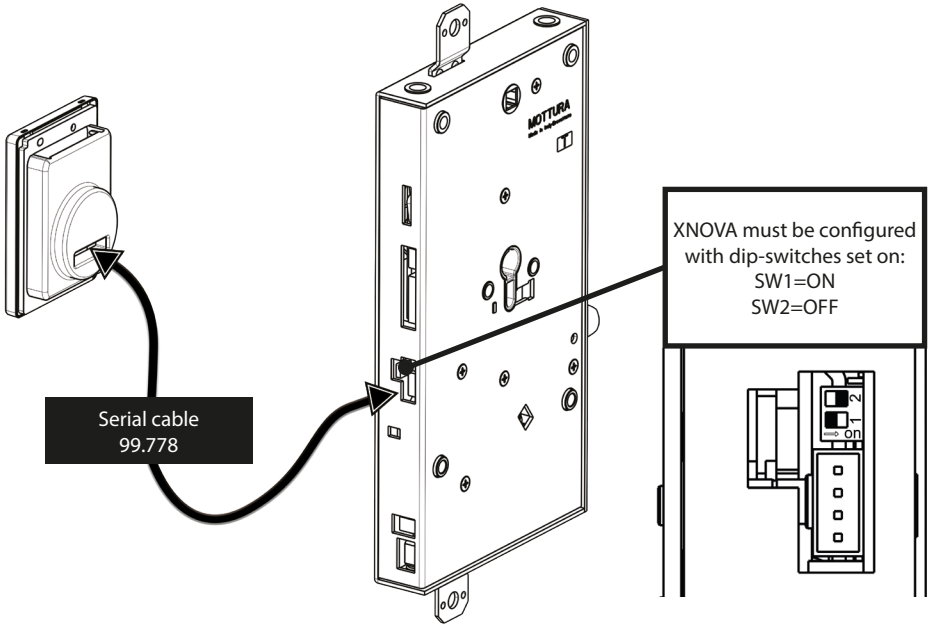
MULIXE



Mottura App,
designed to easily
manage all your
electromechanical
devices.

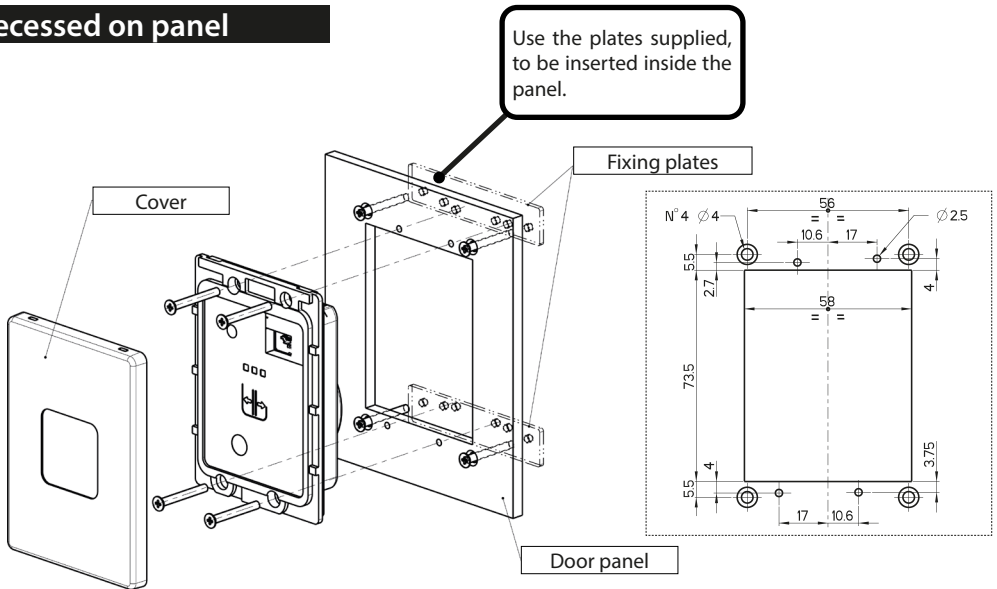


CONNECTION

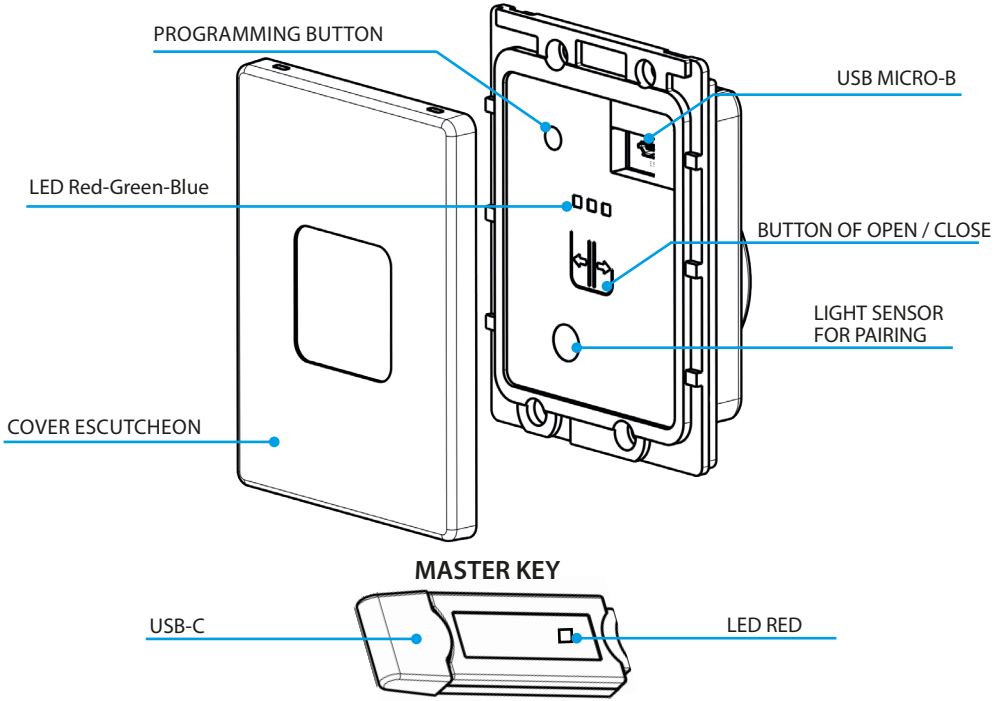


INSTALLATION

Recessed on panel

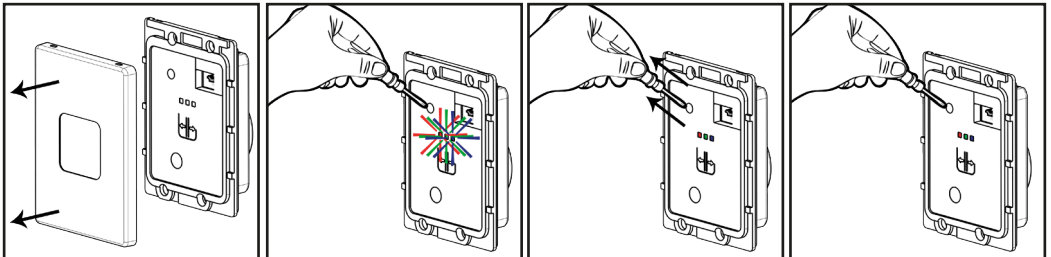


THE UNIT (SEE WARNINGS PAGE 2) ⚠



PROGRAMMING BUTTON

TIME (sec)	LED	FUNCTION	REQUIRES MASTER PENDRIVE
0 ÷ 3	Red	Pairing (pairing with device)	YES
3 ÷ 6	Green	Pairing Mottura accessories	YES
6 ÷ 9	Blue	Factory reset BLE	YES
		Microprocessor restart	NO



Remove the cover.

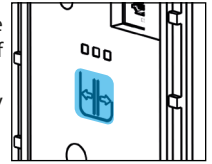
Keep the button pressed until the color of the desired function is reached.

Once you have reached the color of the desired function, release the button. Check the flashing of the LED.

Press to confirm the function. Confirmation will be given by an acoustic signal.

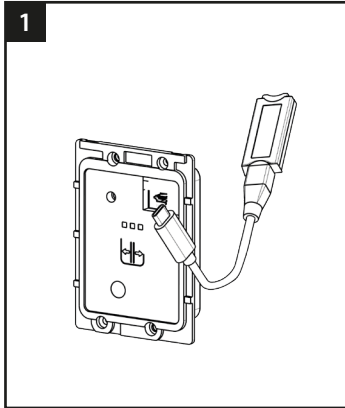
OPEN / CLOSE BUTTON

From the inside, the lock can be opened by pressing the button located in the center of the escutcheon. Depending on the mode set via the ULIXE app, the button may close the lock if automatic closing has not been set. If automatic closing is set, the button is only used to open it, closing the door will automatically close the lock.

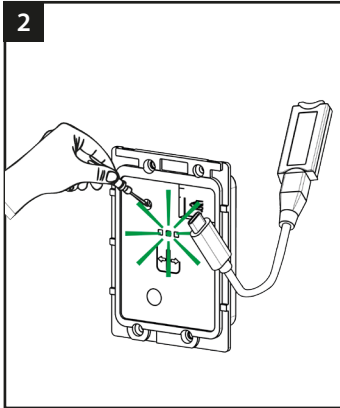


PAIRING PROCEDURE WITH MOTTURA ACCESSORIES (max 10 devices)

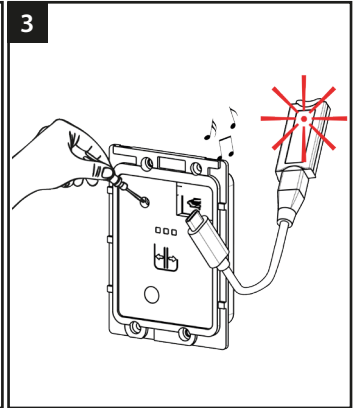
⚠ This procedure must be performed with the door open



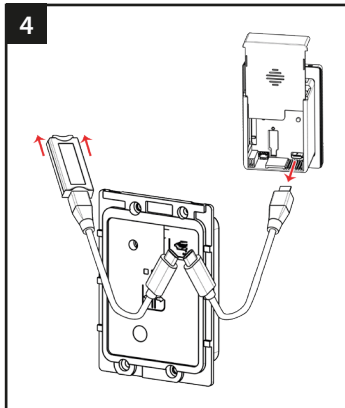
1 Connect the master key to the escutcheon.



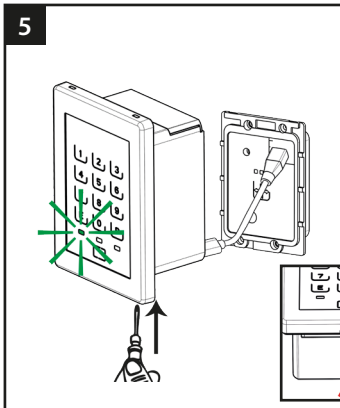
2 Press the programming button (3 ÷ 6 sec. Max) until the fixed GREEN LED lights up. Release the button, and check for GREEN flashing.



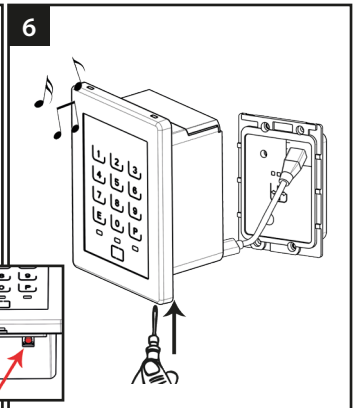
3 Press the programming button again. On the key, the RED LED will light up flashing and at the end the escutcheon will sound an increasing tone.



4 Disconnect the key from the cable and connect the cable to the accessory on the USB-C connector.

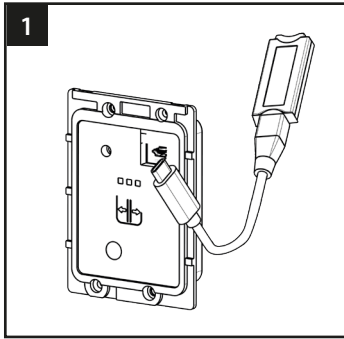


5 Within the 20 sec time limit provided, press the programming button on the accessory until the LED turns solid GREEN. Release the button verifying the flashing of the GREEN LED.

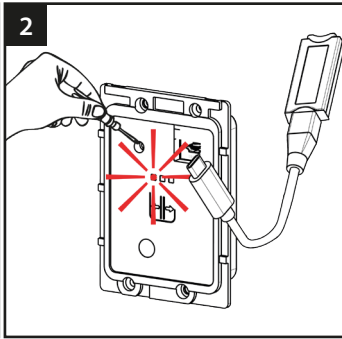


6 Press the button again until you hear a beep in the accessory that indicates the start of the sequence. Three short beeps and a rising sound first on the escutcheon and then on the accessory indicate the end of the procedure which takes about 30-40 sec.

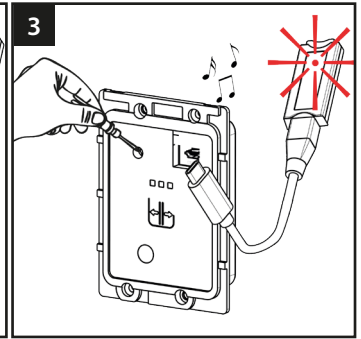
PAIRING PROCEDURE WITH SMARTPHONE (max 10 device)



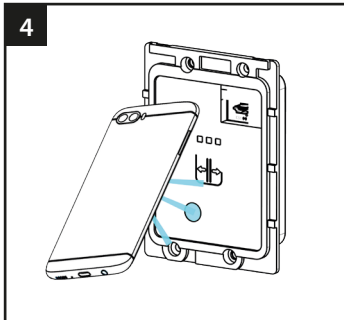
Connect the master key to the escutcheon. Start the **ULIXE** app on your smartphone, access the reserved area and follow the procedure.



Press the programming button (0 ÷ 3 sec. Max) until the steady **RED LED** check the flashing **RED**.



Press the programming button again. On the key, the **RED LED** will light up flashing and at the end the knob will emit a sound in increasing pitch.



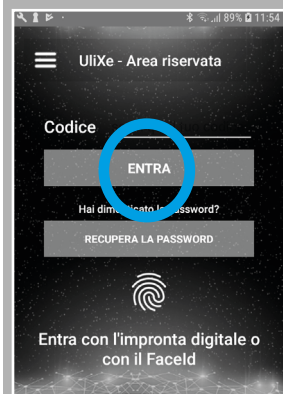
On the smartphone, follow the authentication procedures, bringing it close to the brightness sensor which will receive flashes of light emitted by the smartphone. Once finished the device will be paired.

Download on the [App Store](#) GET IT ON [Google Play](#)

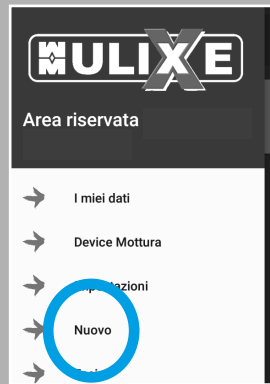
UlixE is the first application developed by Mottura that contains all the world of Mottura motorised locks.

It can be used to:

- Manage various Mottura devices
- Control in proximity Opening/Closing
- Manage the B&B service
- Set the device Parameters
- Possibility of displaying Mottura Products -
- Check the Mottura Club closest to you
- Display the Instructions and Manuals of the products



ENTER IN THE RESERVED AREA



ADD A NEW DEVICE AND FOLLOW THE PROCEDURE

SERIAL CODE

A large, empty rounded rectangle with a black border, intended for the user to enter the serial code.